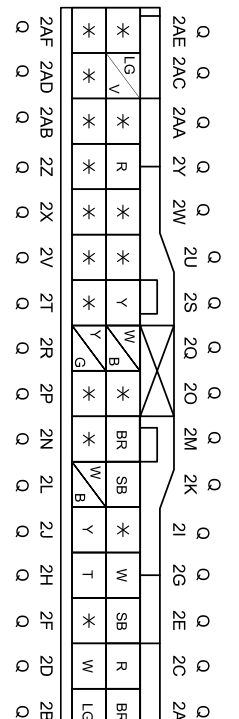
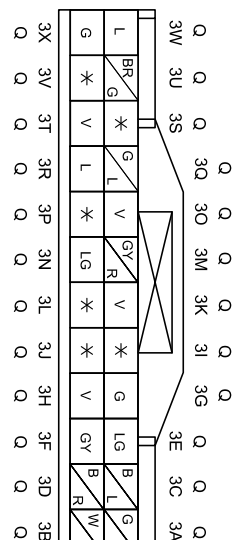
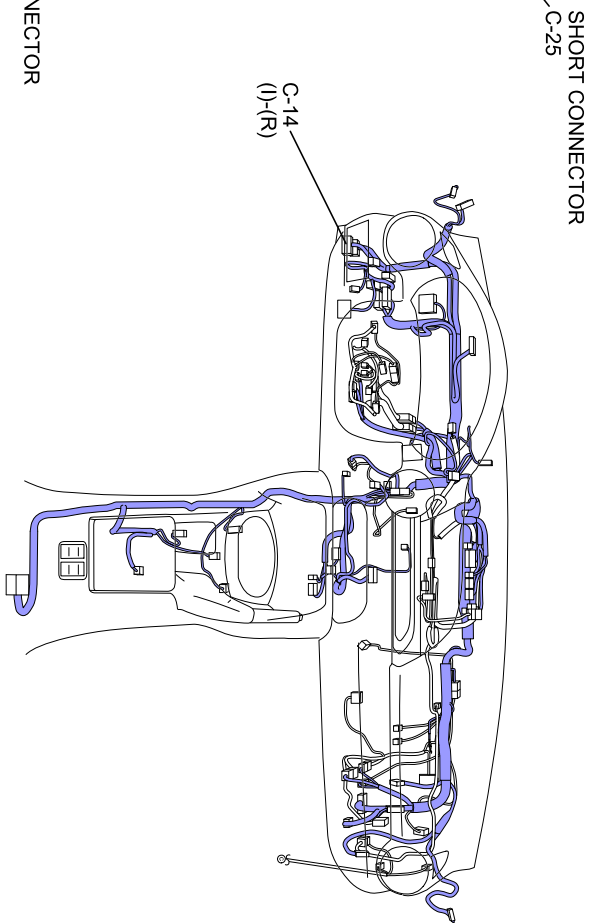
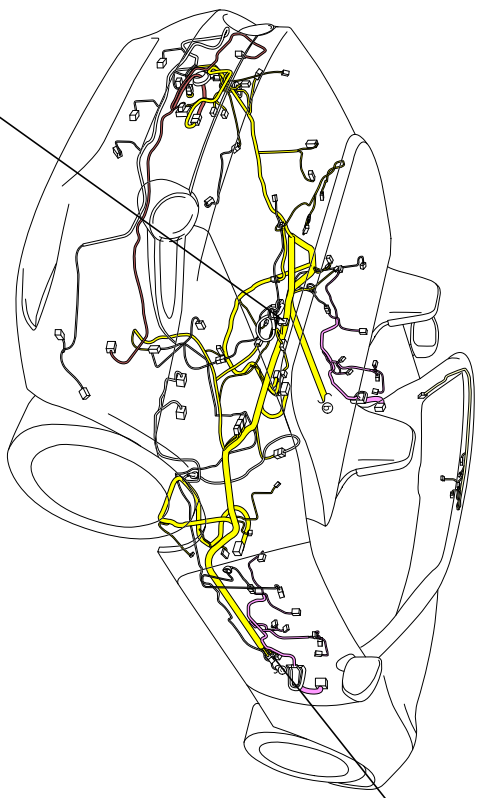
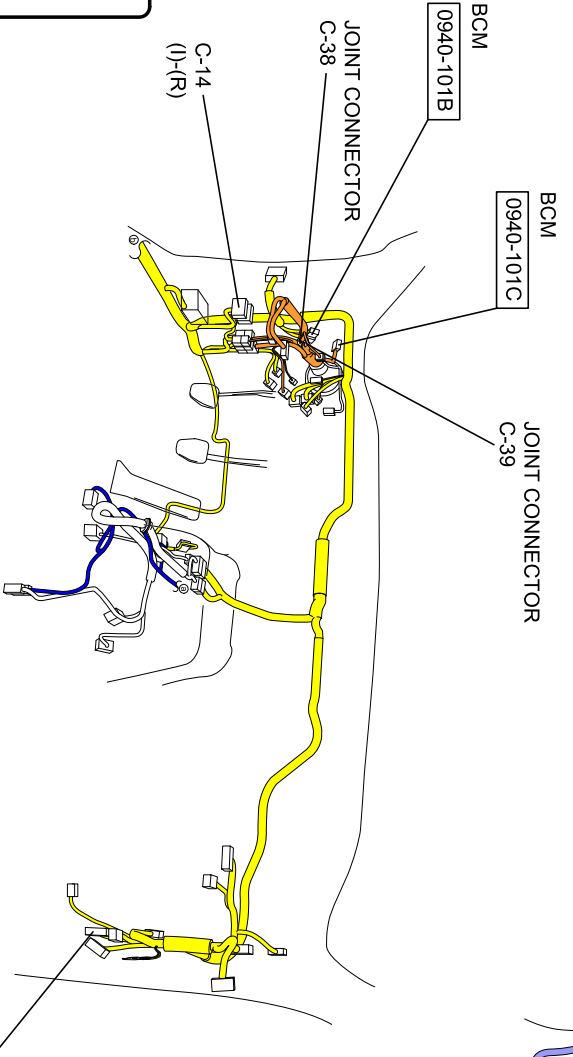


<p>0940-101B BCM</p> 	<p>0940-101C BCM</p> 	
---	---	--

Body control module (BCM) terminal voltage table (reference)		Measurement condition	
Terminal			Voltage (V)
2C	Terminal used for communication therefore determination based on terminal voltage is not possible.		
2D	Terminal used for communication therefore determination based on terminal voltage is not possible.		
3C	Terminal used for communication therefore determination based on terminal voltage is not possible.		
3D	Terminal used for communication therefore determination based on terminal voltage is not possible.		



- : FRONT HARNESS
- : EMISSION HARNESS
- : REAR HARNESS
- : INSTRUMENT PANEL HARNESS
- : REAR No.4 HARNESS
- : DOOR HARNESS
- : INTERIOR LIGHT No.2 HARNESS



C-25
SHORT CONNECTOR